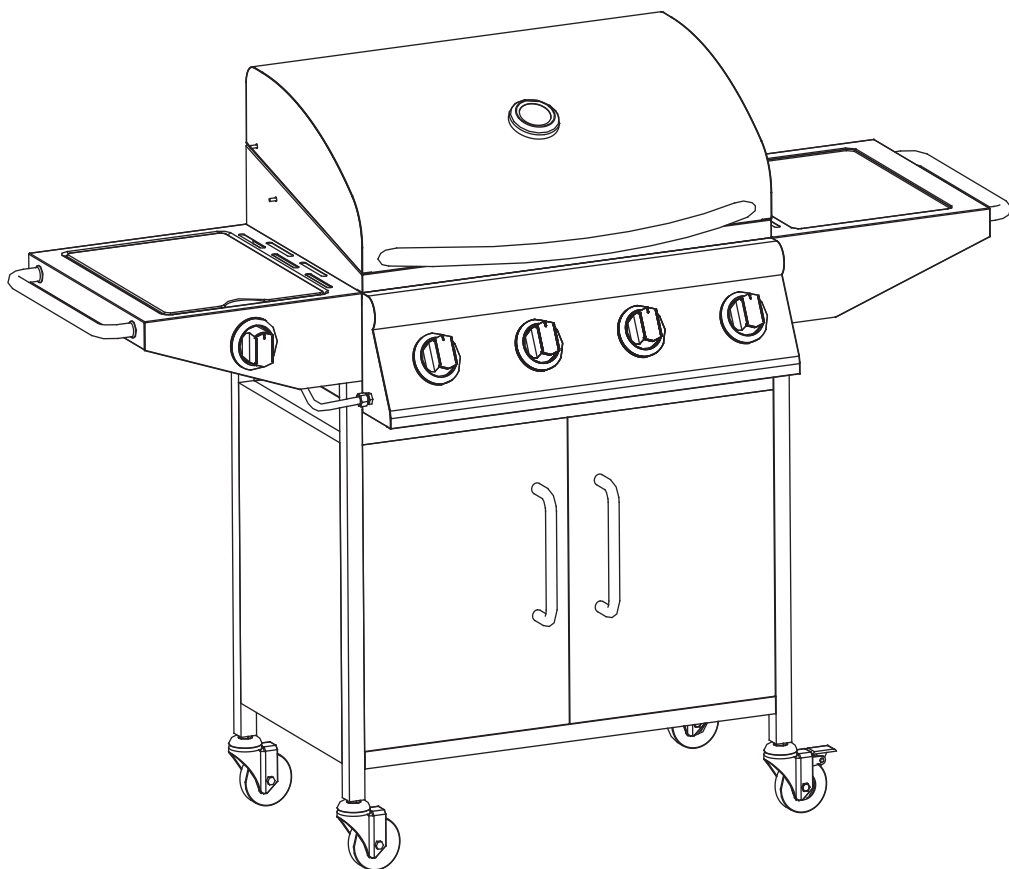


BBQ9204SBUK



**UK  
CA**



[alicesgarden.fr](http://alicesgarden.fr) - [alicesgarden.be](http://alicesgarden.be) - [alicesgarden.es](http://alicesgarden.es) - [alicesgarden.nl](http://alicesgarden.nl)  
[alicesgarden.co.uk](http://alicesgarden.co.uk) - [alicesgarden.pt](http://alicesgarden.pt) - [alicesgarden.it](http://alicesgarden.it)  
[alicesgarden.com.au](http://alicesgarden.com.au) - [alicesgarden.de](http://alicesgarden.de)

# CONTENTS

## ENGLISH

Important information.....4  
Security instructions and advice .....5  
Before use .....6  
Maintenance .....8  
Storage .....9  
Advice in case of a failure.....10  
Warranty .....11  
Assembly .....12

**IMPORTANT, KEEP FOR FUTURE REFERENCE: READ CAREFULLY**



**Attention** : risques de blessures

**Cuidado** : riesgo de lesión

**Caution** : risk of injury

**Waarschuwing**: risico op verwondigen

**Cuidado**: risco de ferimentos

**Attenzione** : rischio infortunio

**Warnung** : Verletzungsgefahr



Garantie : 2 ans

Garantía : 2 años

Warranty: 2 years

Garantie: 2 jaar

Garantia: 2 anos

Garanzia : 2 anni

Garantie: zwei Jahre



Destiné à un usage domestique

Destinado a un uso doméstico

For domestic use

Bestemd voor huishoudelijk gebruik



Para uso doméstico

Destinato ad un uso domestico

Bestimmt für den Privatgebrauch

## IMPORTANT INFORMATION

### TECHNICAL INFORMATION

		G9204A-SB (BBQ9204SBUK)				0359-21 0359CL1116
<b>ALBERT</b>						
Destination country	BE, ES, FR, GB, IT, PT			IT, NL		
Gas category	I3+(28-30/37)			I3B/P (30)		
Type of gas	G30 Butane	G31 Propane	G30 / G31 / GPL			
Gas pressure	28-30mbar	37mbar	30 mbar			
Max. power	16,0 kW					
Consumption	1165 g/h					
Injector size	4×Ø 0,85mm , 1×Ø 0,85mm					
<p><b>Gas barbecue</b></p> <p>Read the instructions before using the appliance.          Use outdoors only.  <b>WARNING !</b> accessible parts may be very hot. Keep young children away.          This appliance must be kept away from flammable materials during use.          Do not move the appliance during use.          Turn off the gas supply at the gas cylinder after use.          Do not modify the appliance.</p>						

### WARNING !

- Carefully read the following instructions and make sure that the barbecue is installed and equipped properly. Not following these instructions correctly could lead to serious injury and damage to the product.
- If you have any questions relating to the installation or the use of this BBQ, please get in touch with your distributor, or the provider of the gas canisters.
- Always put make sure the BBQ and gas canister are on a flat surface.
- Never try to light the BBQ with the lid closed.
- The barbecue can be used with propane or butane gas canisters between 6-13kg. For a better outcome, we suggest using Propane, as it's the best for outdoor use.
- Upon use, you must comply with the following rules :
  - Keep all objects at least 1 metre away from the back and side parts of the BBQ.
  - Do not place objects in front of the BBQ.
- We advise using protective gloves to touch hot parts of the barbecue.
- Never leave the bbq unattended during use.
- Don't move the product during use.
- Close the gas cylinder valve after use.

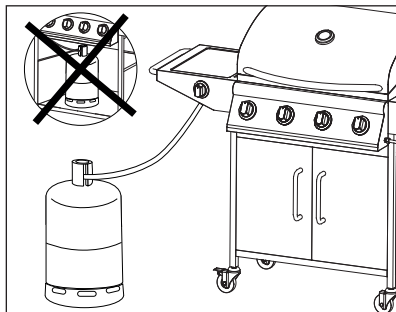
Keep this manual for future reference

## SECURITY INSTRUCTIONS AND ADVICE

### CONNECTING THE BARBECUE TO THE GAS CANISTER

This barbecue is only compatible with Butane or Propane gas canisters (28-30/37mbar), fitted with a compression release and a gas hose that conform to safety regulations. Consult your gas canister supplier for more information regarding decompressors compatible with their canisters.

The designated space for storing the gas canister after use is: 71cm x 38cm x 49cm.



### DESCOMPRESSOR AND GAS HOSE

These parts are not included with the product, because normally, they are offered to you by your gas canister supplier with your first purchase. You can also find these items in the majority of specialist outdoor equipment shops. Please only use compatible compression releases and hoses that comply with UK safety regulations.

**The compression release and hose have a lifespan of approx. 10 years.**

- The use of an incorrect compression release or a non-compatible hose is **EXTREMELY DANGEROUS**, always make sure that these elements are compatible before using the product.
- The hose used should comply with UK regulations. The length of the hose should not exceed 1,5m. A hose that shows sign of wear **should not be used** and should be replaced. Regularly check that it's in good condition, and check the use-by date.
- The hose should not be put under strain or curved. Check that it is not in contact with any other part of the product, apart from the fixings. The entire length of the hose should be visible and easily accessible.

### GAS CANISTER

- The gas canister shouldn't be knocked. If it's not in use, the gas valve should be closed. Put the cap on the canister when it's disconnected from the product.
- Gas canisters should be stored outdoors in a vertical position, out of the reach of children. They should not be exposed to temperatures over 50 °C. Please do not store near a heat supply, or another source of ignition.
- Do not attempt to replace the gas cylinder whilst your bbq is alight, or near an ignition source.

Do not smoke next to gas canisters

## IMPORTANT

- This product has been exclusively designed for outdoor use, well away from all flammable products.
- It's essential that the surrounding area is free from all obstacles, and that all other objects are at least 1 metre away from the sides and back of the BBQ. The frontal part of the apparatus must be accessible at all times.
- Before use, make sure that all vents are unobstructed.
- This appliance must be kept away from flammable materials during use.
- The BBQ must be installed on a flat surface, protected from the rain or covered to avoid direct contact with water.

The elements that have been assembled by the manufacturer or the seller must not be changed. You cannot change the components that make up this apparatus. Any repairs must be carried out after authorisation by the After Sales Department of Alice's Garden, the exclusive supplier of certified replacement pieces.

## BEFORE USE

---

### CONNECTING TO GAS

- Firstly, make sure that there are no residues on the opening key of the gas canister, nor the decompressor, nor the burners nor their components. Check there are no insects or insect nests in any of the apparatus' openings. An obstructed burner may cause a fire.
- Clean the burner holes with a special cleaning product for gas burners.
- Connect the end of the gas hose to the screw thread or the gas hose connector nozzle (optional) by using a key or a tightening bolt. (not provided). If you replace the hose, repeat the safety instructions before use.
- Disconnect the compression valve of the gas canister when the BBQ isn't in use.
- This apparatus must always be used in a well-ventilated area. It should not be used indoors or in a garage.

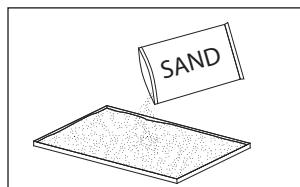
Only use this barbecue outdoors, make sure that there are no leaks. Never check this with a flame. Use a soapy solution.

### CHECKING FOR LEAKS

- Prepare a soapy solution with  $\frac{1}{4}$  washing up liquid and  $\frac{3}{4}$  water.
- Make sure that all control switches are in the « **OFF** » position.
- Connect the compression valve to the gas cylinder, checking all of the connections.
- Put the soap solution through the hose and the connection points. If bubbles appear, there's a leak and this must be repaired before use.
- Check again after fixing the problem.
- Close the gas valve on the canister once the test is finished.
- If a leak is detected and it's not repairable, do not try to tap the leak yourself, get in touch with the aftersales department directly.

## PREPARE YOUR BARBECUE FOR FIRST USE

The juices of your food may contain flammable fats, **we strongly advise that you put a layer of sand, roughly 10-15mm** in depth in the inferior fat collecting tray, to facilitate the cleaning process and the absorption of the fat. This tray must be cleaned after each use.



## SWITCHING THE PRINCIPAL BURNERS

1. Open the lid and ensure that all the buttons of the burners are in the « **OFF** » position.
2. Connect the regulator to the gas canister and open the outlet. Do a test for leaks using a soapy solution throughout all of the gas circuit.
3. Push the control button, identifiable by the lightning symbol ⚡ and at the same time turn it to « **MAX** ». By doing so, the ignition should spark and light the principal burner.
4. You can light the other burners when the principal burner's signal light ⚡ shows it is lit.
5. If the lighting process doesn't work, turn the button to « **OFF** », wait a few moments, and repeat step 3.
6. Adjust the flame to the desired strength by using the control button.
7. To turn the barbecue off, turn the gas or the regulator off directly, and turn all controls back to « **OFF** ».

**!** **WARNING:** Before cooking the first item, let the bbq heat up for 15 minutes, keep the lid closed and all the burners on « **MAX** ». Doing this will clean all the elements of any residue left during the production process.

**!** **WARNING :** If you smell gas, turn off the gas source and lift the lid of the barbecue.

## SWITCHING THE SECONDARY BURNER

1. Open the lid.
2. Push the control button marked with the lightning symbol ⚡ and position it to « **MAX** ».
3. If the burner doesn't light in 5 seconds, put the switch to « **OFF** » and repeat step 2.
4. If the starter doesn't work, turn the button back to « **OFF** », wait a few minutes and repeat 2.
5. To turn the BBQ off, turn the gas off at the canister or the regulator and turn all controls to « **OFF** ».

# MAINTENANCE

---

## TAKE CARE

- All cleaning tasks must be carried out when the barbecue is switched off, and when the gas valve is turned off at the source.
- Internal cleaning (pirolisis): leave the barbecue lit with a big flame, keep the hood open, and do this after each use to burn the grease and other residues left by the food.
- After each use, it's essential to clean and degrease the extractable grease collection train with warm water and soap, using a cloth or a soft sponge. It's advisable to use a 10-15mm layer of sand in the lower part of the grease collection tray.
- Clean the grease residue from the diffusers, racks, and tank after use.

## LID

- Use a soapy solution. A non-abrasive powder can be used to clean more difficult stain, rinse off with water afterwards.
- Deposits that form within the BBQ that look like peeling paint are carbonized grease. These can be effectively cleaned off using a soapy solution, with warm water, followed by rinsing with clean water. Then leave to dry completely.



### **WARNING :**

Never use a special cleaner for the oven.

## BOTTOM OF THE TANK

Use a soapy solution to clean. You can use a non-abrasive powder for more difficult patches, and rinse with water afterwards. Then leave to dry completely.

## GRILLE/RACKING

Use a soapy solution, a non-abrasive powder can be used to clean tougher spots.

## BURNERS

- Disconnect the gas canister and shut off the gas valve completely.
- Remove the grille/rack.
- Clean the burners with a fine brush or a spray, and dry with a cloth.
- Clean all obstructed holes with a tube brush or a metallic skewer for smaller holes.
- Check that none of the burners are damaged (holes or cracks). If one is damaged, replace with a new burner, and check that all the parts are in the right place, and well secured.



# STORAGE

---

## STORAGE

The barbecue can be stored outside, covered, as long as the gas canister is disconnected first. If the product is not in use during a long period of time, it is best to store the barbecue in a dust-free, dry environment, in its original packaging.

### AFTER EACH USE

- Turn the power switch to « **OFF** ».
- **Close** the valve on the gas canister.
- Store the apparatus **upright**, protecting it from the elements (rain, snow, hail), as well as dust and other waste.
- If you wish, you can cover the BBQ with a protective cover, which will stop the vents from becoming clogged up.

**Note** : Wait until the BBQ has cooled completely before covering it.

### IF YOU ARE NOT GOING TO USE THE APPARATUS FOR A LONG TIME, OR WOULD LIKE TO TRANSPORT IT.

- Put the power switch to « **OFF** » .
- Disconnect the gas canister and place it outside in a well-ventilated area. Don't put it in an area where temperatures can surpass 50 °C.
- Store the apparatus **standing up**, protecting it from the elements, as well as dust.
- If you wish, you can stop the vents from becoming blocked up by covering the BBQ with a protective cover. Extended time outside in UV rays, near stagnant water, exposed to sea air/water can cause damage to the BBQ. In cases such as these, a cover will not be sufficient to protect the apparatus.

**Note** : Wait until the apparatus has cooled down completely before covering it

### ADVICE FOR WINTER

- You can get rid of corrosion on the outside of the burners by using a metal brush or wire wool.
- Cover the burners with tin foil to avoid insects coming into contact with them and leaving residue.
- Prepare for the deep cleaning and degreasing of the apparatus with a warm soapy solution, a cloth or a soft sponge.

## ADVICE IN CASE OF A FAILURE

PROBLEM	THE CAUSE	THE SOLUTION
The burner doesn't light / the burner doesn't stay lit	The safety button / restart button hasn't come on	Push the restart button, to start the flow of gas.
	The gas valve is closed / The gas canister is empty	Open the valve / Replace the gas canister
	The opening or tube of the diffuser is obstructed	Clean the opening with a brush or a fine paint brush
	There's air in the gas pipe.	Open and purge the gas tube (keep pushing the power switch ⚡ for 1-2 minutes or until you can smell gas)
	The piezoelectric ignition isn't working	Use a match to light the pilot light. If it lights, get a new ignition and replace the non-working one.
	A build-up of dirt around the burner	Clean the burner
	There's a loose connection between the gas valve and the pilot light.	Tighten the connection and check to see if there's a leak
	The gas pressure is low	Attach the gas cylinder again
The side burner doesn't light	The opening is obstructed	Clean the opening
	The power switch isn't set to « MAX » or « MIN »	Turn the switch to « MAX »
	The lateral burner doesn't light	Check that all the parts are in the right place
	The piezoelectric ignition isn't working	Check the cable (W01) is well connected Check if the metal rod of the cable (W01) is well positioned regard to the burner
The burner flame is weak	The gas pressure is low	Reconnect the gas cylinder
	The exterior temp. is greater than 5°C and the tank only fills itself to 1/4	Reconnect the gas cylinder
<b>Note:</b> Don't use the apparatus if the exterior temp is less than 5°C	The gas hose is twisted or doubled over	Untwist the gas hose and check there is no leak
The burner flame isn't uniform	The power switch is completely open (« MAX » or « MIN »)	Turn the button to « OFF », let the apparatus cool down and make sure that the burners and the holes aren't obstructed.
	The gas pressure is low	Reconnect the gas cylinder
	The barbecue isn't on a flat surface	Put the barbecue on a flat surface
<b>Note:</b> the lower part, 2,5cm from the burner doesn't normally light up	There's a build-up of dirt on the burner	Clean the burner
Build-up of carbon	Dirt or film on the burner or diffuser	Clean the burner of the diffuser
Thick black smoke	The burner is obstructed	Turn the button to « OFF », let the apparatus cool-down, clear any obstructions and clean the exterior and interior of the apparatus

## WARRANTY

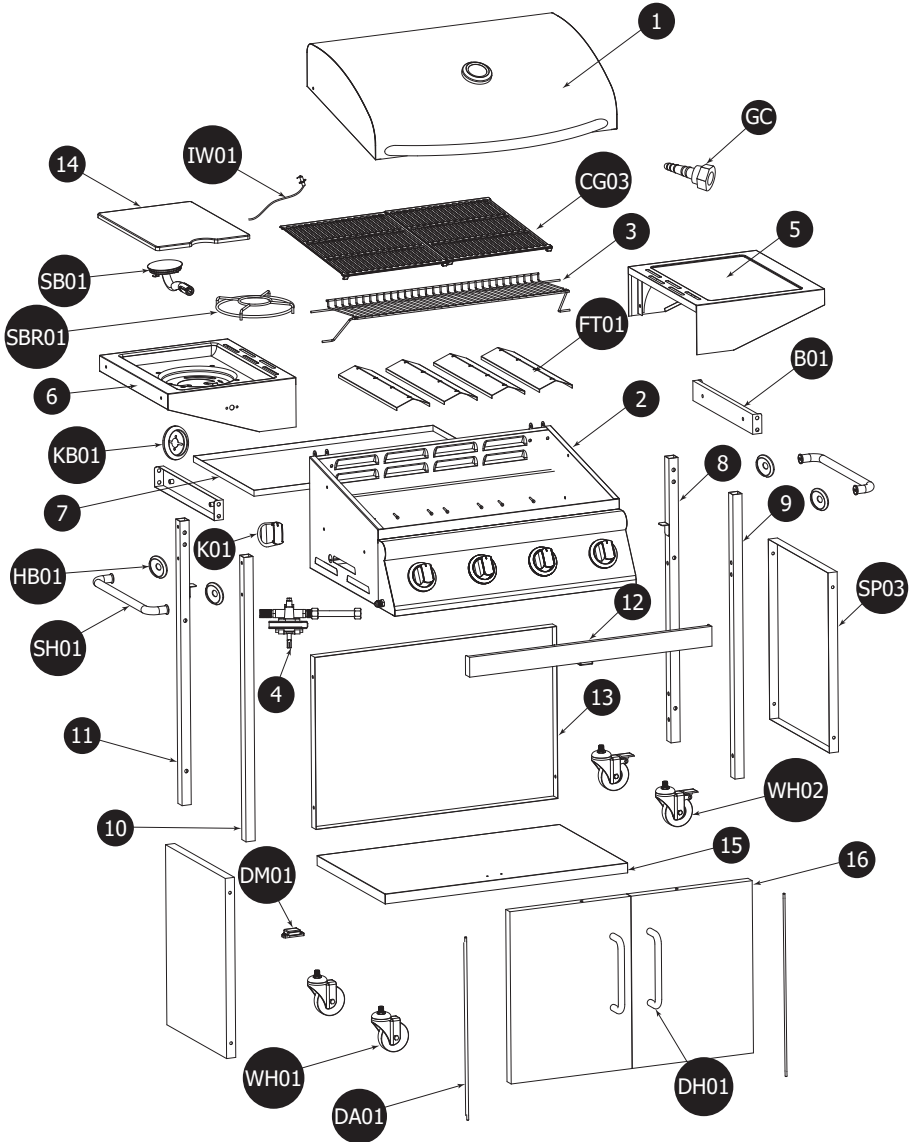
---

- Alice's Garden guarantees all parts of the BBQ against production, and material faults, during a 2-year period from the purchase date of the product.
- If a piece is defective within the warranty period, the only and exclusive way to resolve this is through the repair or replacement of said piece following the advice provided by the Alice's Garden After Sales department.
- The Alice's Garden (WALIBUY) is used to substitute damaged pieces, and to cover return costs incurred by the buyer.
- This warranty is null and void in cases of abuse, misuse, or non-authorized repair of the product. Repairs will be agreed and carried out following the defective piece's arrival at our factory.
- Our products are designed for private and personal use. Professional use will automatically nullify the warranty.

### LIMITATIONS AND EXCLUSIONS TO WARRANTY

- Damage, breakdowns, faults or defects due to external causes (accident, shock, lightning, strong wind...).
- Faults due to the modification of the construction, and original characteristics of the apparatus.
- Breakdowns that affect pieces that don't comply with those specified by the manufacturer.
- Adjustments made by the buyer without dismantling the apparatus.
- Wear from use, adjustments, cleaning and tests that aren't conclusive of damage covered by warranty.
- Not following the manufacturer's instructions.
- Repairs needed or damage after a non-authorized person has tried to repair the apparatus without prior consent from Alice's Garden's After Sales department.
- Improvised or temporary repairs from which may have aggravated the existing damage.
- Damage due to corrosion, oxidation, or an incorrect connection.
- The substitution of pieces due to wear.
- The replacement of missing/damaged pieces on receipt of the product that are not mentioned on the delivery note.

# ASSEMBLY



1		1	12		1	IW01		1
2		1	13		1	K01		1
3		1	14		1	KB01		1
4		1	15		1	SB01		1
5		1	16		2	SBR01		1
6		1	B01		2	HB01		4
7		1	CG03		2	SH01		2
8		1	DA01		2	SP03		2
9		1	DH01		2	WH01		2
10		1	DM01		1	WH02		2
11		1	FT01		4	En option / Opcional / Optional / Opzionale / Opzionale		
						GC		x1

A



x48

B



x2

C



x6

D



x2

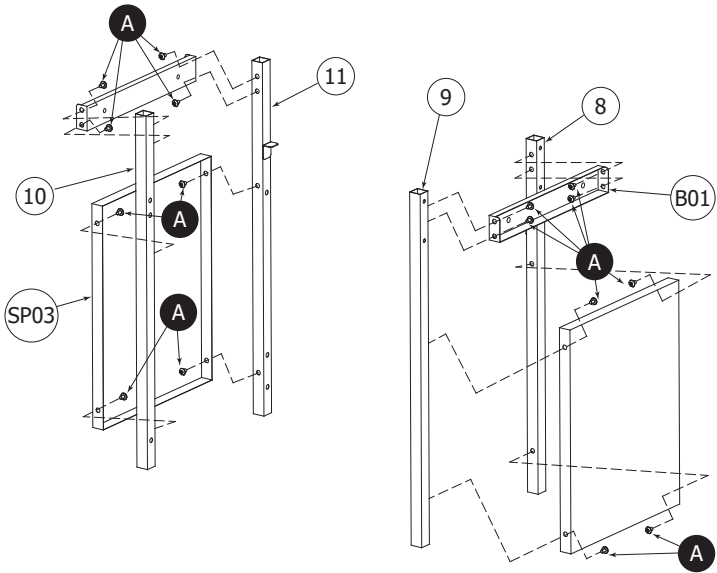
E



x2

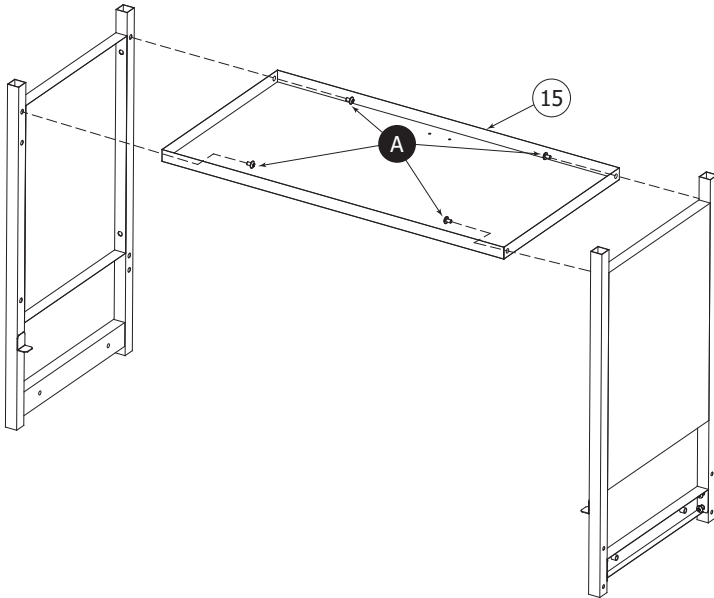
1	Lid
2	Main body of barbecue
3	Interior grill shelf
4	Secondary burner valve
5	Side shelf
6	Side shelf - secondary burner
7	Grease collection bucket
8	Back-right support leg
9	Front-right support leg
10	Front-left support leg
11	Back-left support leg
12	Door crossbar
13	Back panel
14	Lid Secondary burner
15	Shelf
16	Door
B01	Lateral support
CG03	Cast iron cooking grid
DA01	Door pin
DH01	Door handle
DM01	Door magnet
FT01	Diffuser
IW01	Ignition cable
K01	Power switch
KB01	Power switch base
SB01	Secondary burner
SBR01	Support secondary burner
HB01	Handle base
SH01	Side handle
SP03	Lateral panel
WH01	Brake
WH02	Brake wheel
GC	Hose connector

1



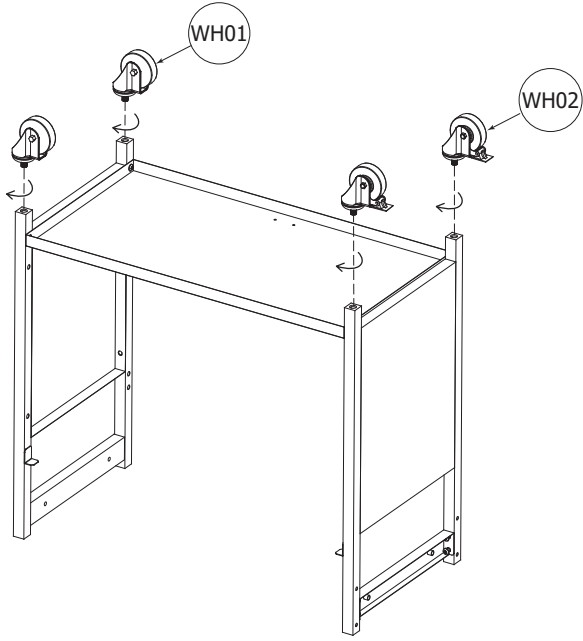
A x16

2

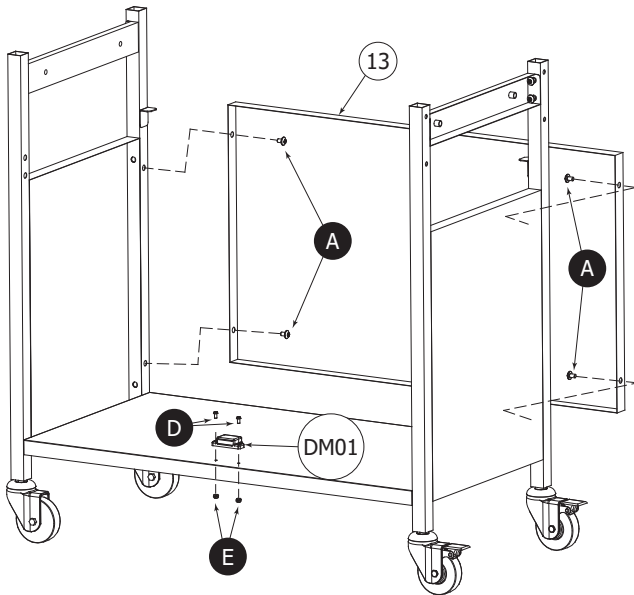


A x4

3



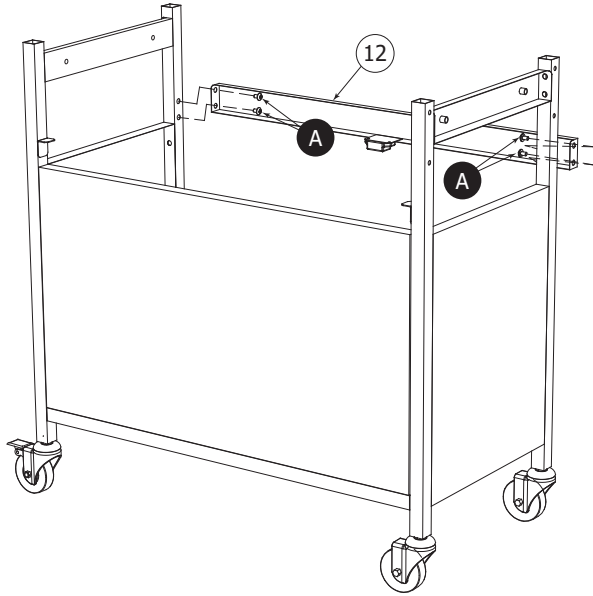
4



A x4 D x2 E x2

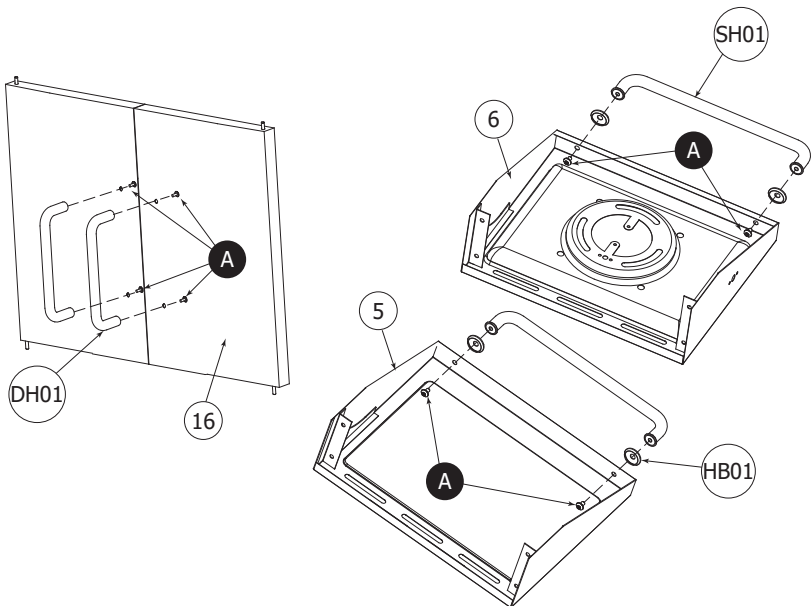


5



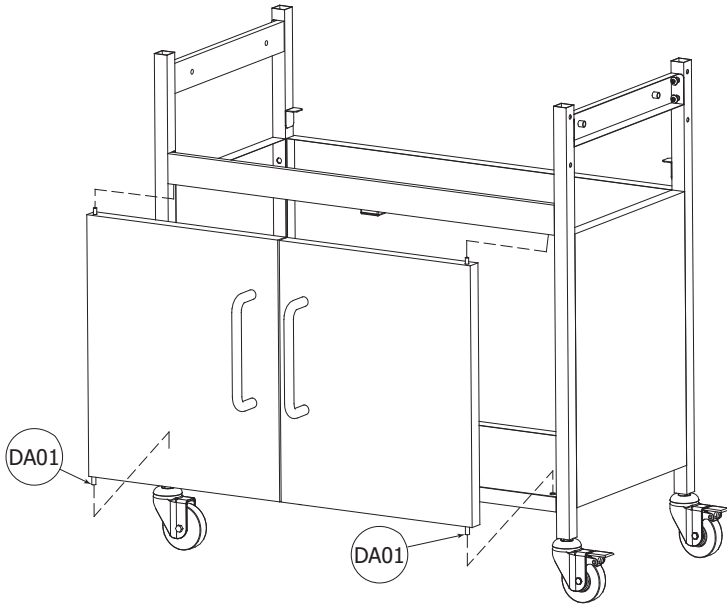
A x4

6

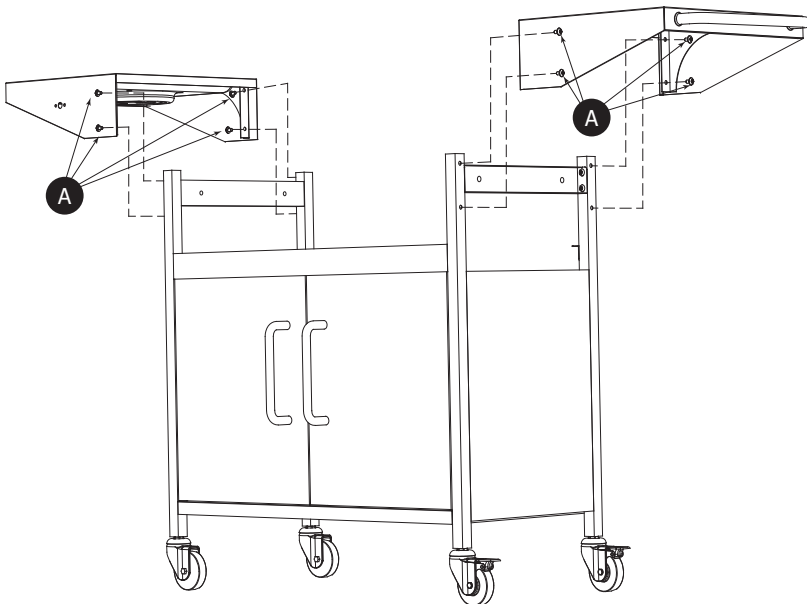


A x8

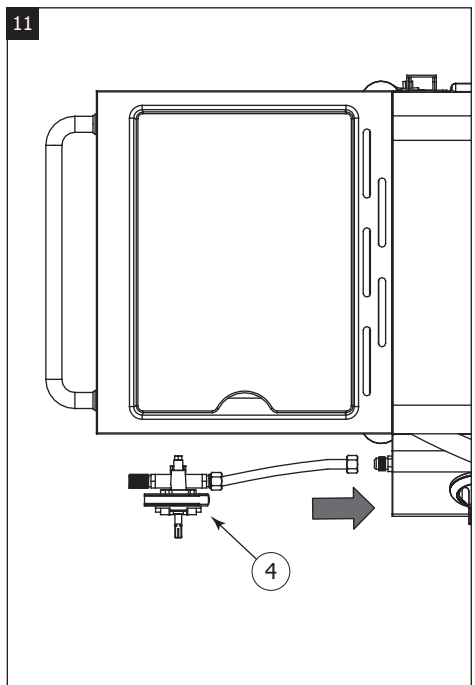
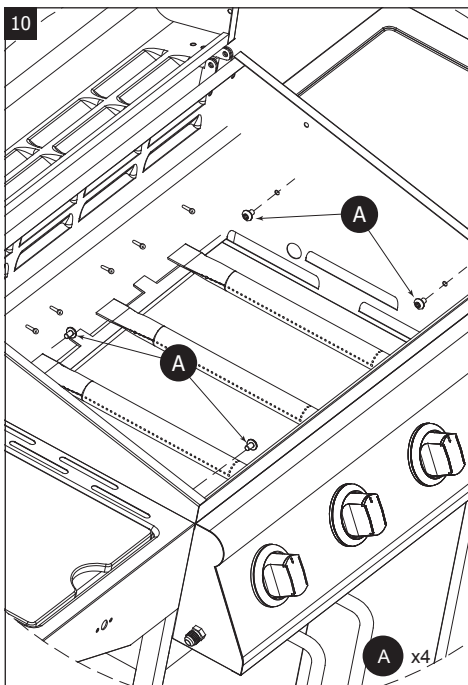
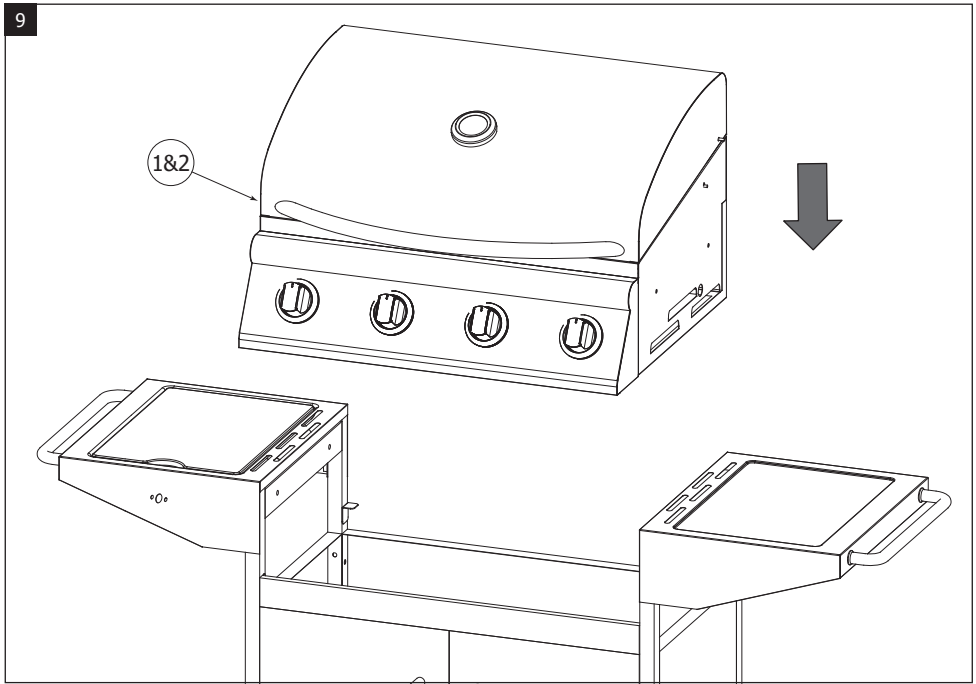
7



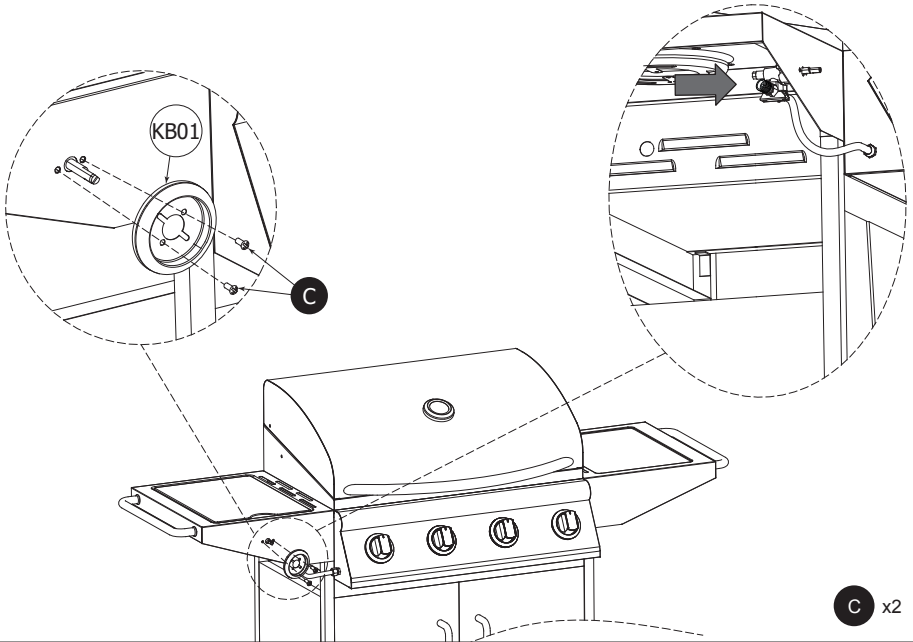
8



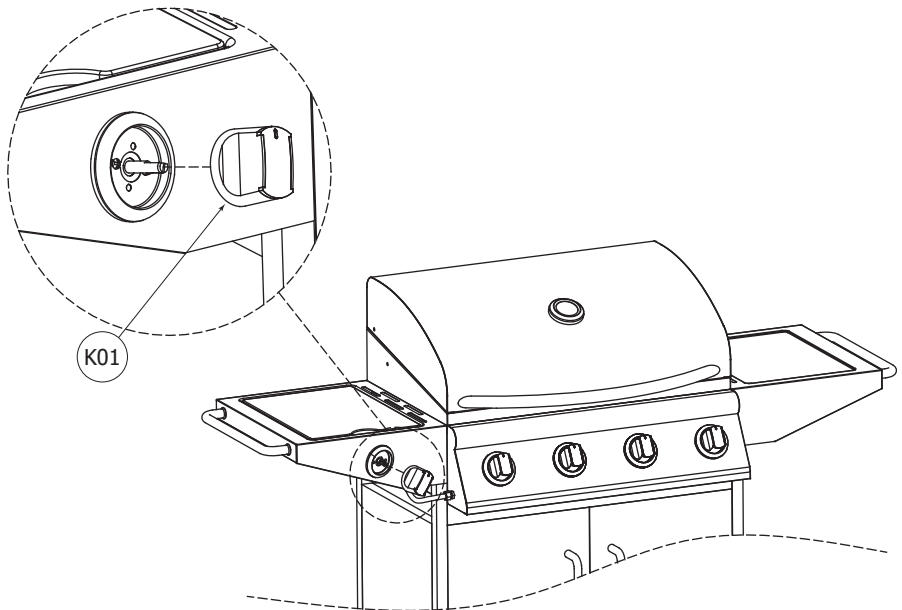
A x8



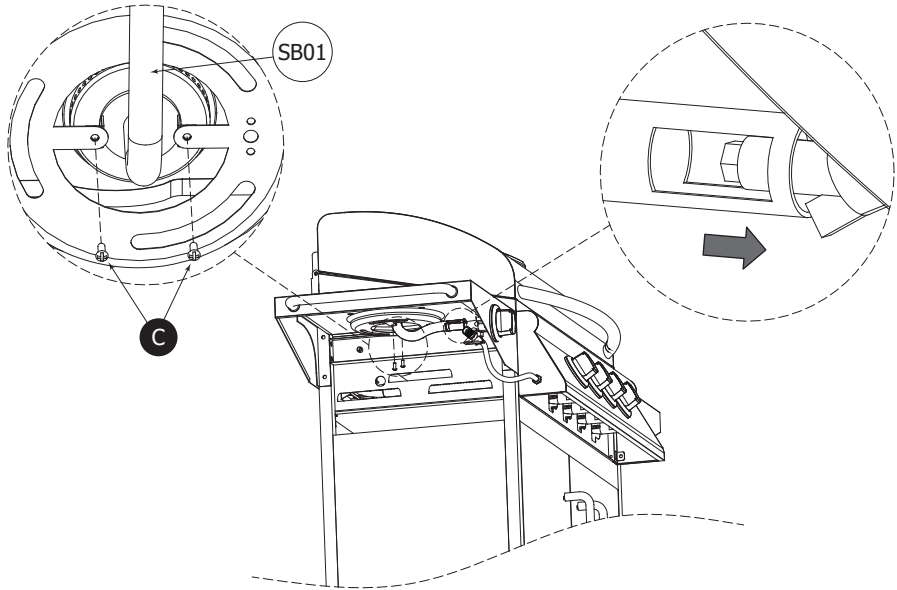
12



13

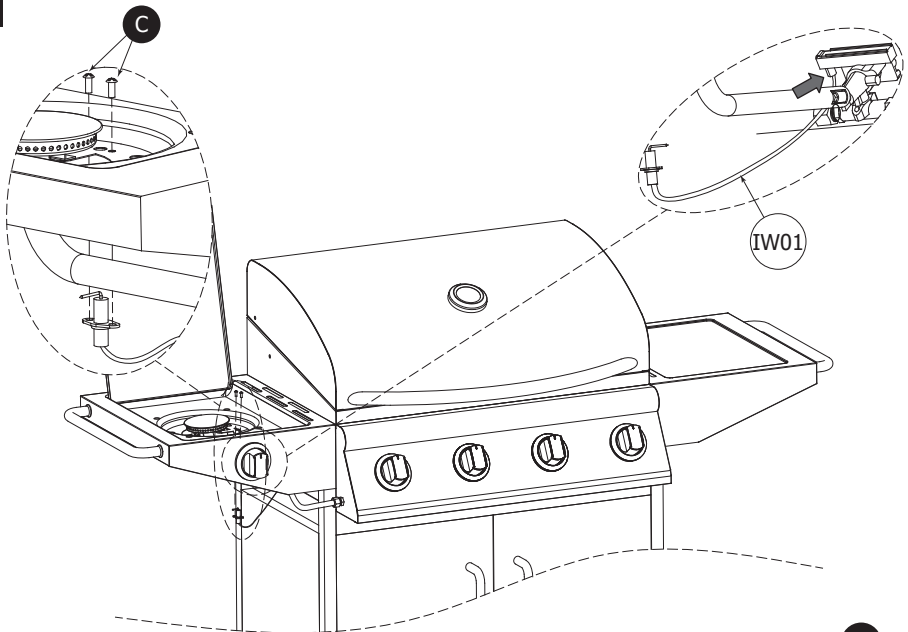


14

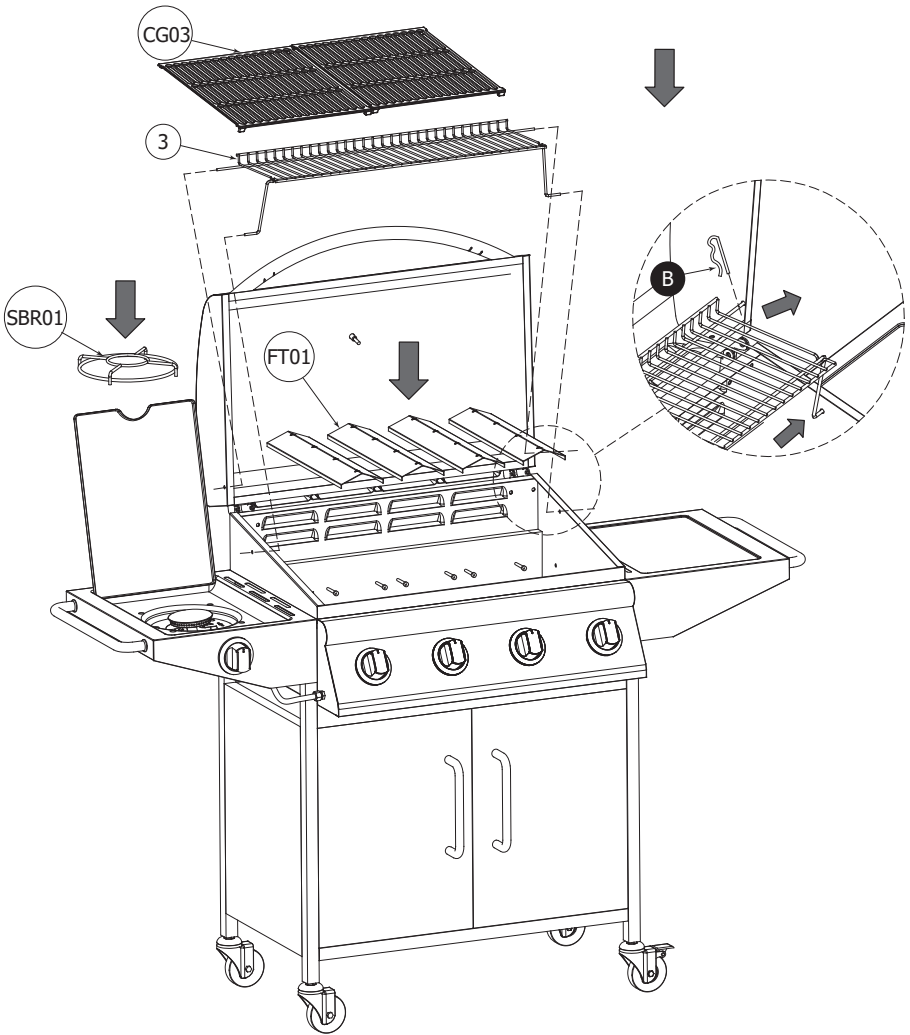


C x2

15

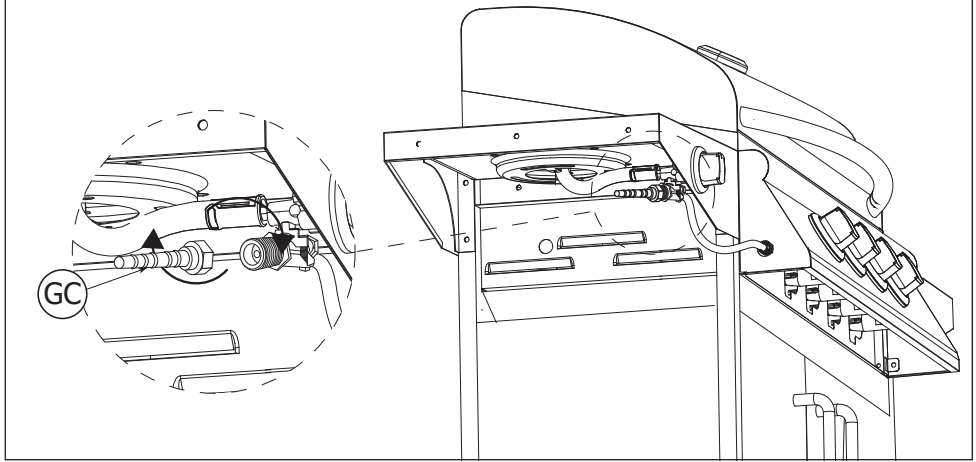


C x2



B x2

Optional



**EN** If included, screw the gas hose connector nozzle into the end of the hose.





IMPORTÉ PAR WALIBUY SAS  
270 avenue de l'Espace, 59118 WAMBRECHIES - FRANCE  
Service après vente : **sav.alicesgarden.fr - sav.alicesgarden.be**

---

IMPORTADO POR WALIBUY SPAIN SL  
Carrer de Mallorca 289, Entresuelo 2, 08037 BARCELONA - ESPAÑA  
Servicio postventa : **alicesgarden.es/cms/contacto**

---

IMPORTED BY ALICE'S GARDEN UK LTD  
Office G07, Dowgate Hill House, EC4R 2SU London - UNITED KINGDOM  
After sales service: **alicesgarden.co.uk/cms/contact-us**

---

INGEVOERD DOOR WALIBUY SAS  
270 avenue de l'Espace, 59118 WAMBRECHIES - FRANKRIJK  
After-sales : **aftersales.alicesgarden.nl - aftersales.alicesgarden.be**

---

IMPORTADO PARA WALIBUY SPAIN SL  
Carrer de Mallorca 289, Entresuelo 2, 08037 BARCELONA - ESPAÑA  
Serviço pós-venda : **alicesgarden.pt/cms/contacto**

---

IMPORTATO DA WALIBUY ITALIA S.R.L  
Via Torino 60, 20123 MILANO - ITALIA  
Contatto : **contatto@alicesgarden.it**

---

IMPORTED BY ALICE'S GARDEN OUTDOOR PTY LTD  
SHOP 1, 1 Denham Street Bondi 2026 NSW - AUSTRALIA  
Contact : **service@alicesgarden.com.au**

---

IMPORTIERT VON WALIBUY SAS  
270 AVENUE DE L'ESPACE, 59118 WAMBRECHIES - FRANKREICH  
Kundendienst : **kundenservice@alicesgarden.de**

---